

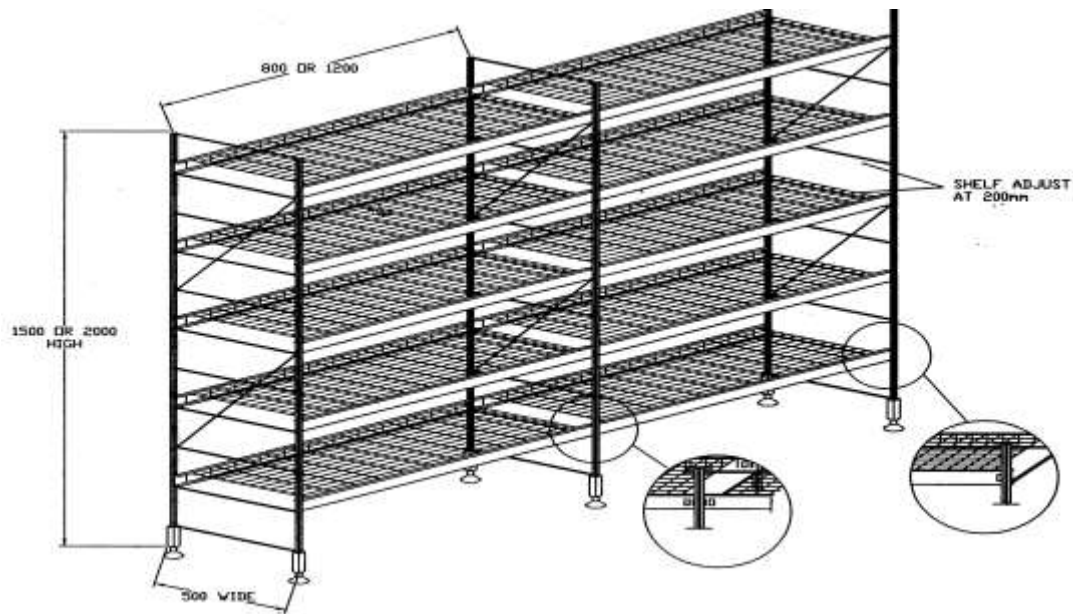
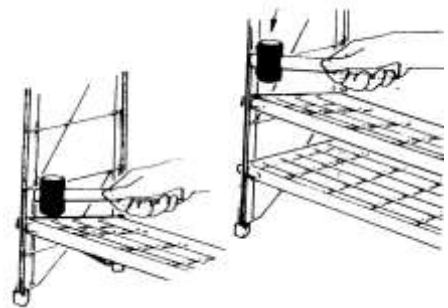
CYNTON

MANUFACTURERS OF
DISPLAY FIXTURES & STORAGE SYSTEMS

SHELFMASTER

Wire shelving for dry stores and cold rooms

- High Airflow
- Low Humidity
- Less condensation than solid shelves
- Hot dipped galvanised finish



Cynton Wire Products (Pty) Ltd 1972/01430/07
20B Grader Road Spartan Ext 3 Kempton Park PO Box 10403 Aston Manor 1630
Tel: (011) 392-7344 Fax: (086) 5677355 E-mail: cynton@global.co.za Website: www.cynton.co.za
Directors: GJ Meiring W Meiring

CYNTON

MANUFACTURERS OF
DISPLAY FIXTURES & STORAGE SYSTEMS

SHELFMASTER WIRE SHELVING SYSTEM

AUGUST 2015

END FRAMES		
HEIGHT	MASS	HOT DIP GALVANIZED
2000	6.5 kg	R350-00ea

SHELVES		
SIZE	MASS	HOT DIP GALVANIZED
800 x 500	5.0 kg	R285-00ea
1200 x 500	8.0 kg	R350-00ea

SHELVES ADJUST AT 200mm HEIGHTS

PRICE: MINIMUM QTY APPLIES
COLOUR & FINISH: HOT DIP GALVANIZED
V.A.T.: EXCLUDED
PAYMENT: EFT BEFORE DESPATCH



Cynton Wire Products (Pty) Ltd 1972/01430/07
20B Grader Road Spartan Ext 3 Kempton Park PO Box 10403 Aston Manor 1630
Tel: (011) 392-7344 Fax: (086) 5677355 E-mail: cynton@global.co.za Website: www.cynton.co.za
Directors: GJ Meiring W Meiring